

D-Motor International bvba

Houtekiestraat 11

B-8540 Deerlijk, Belgium

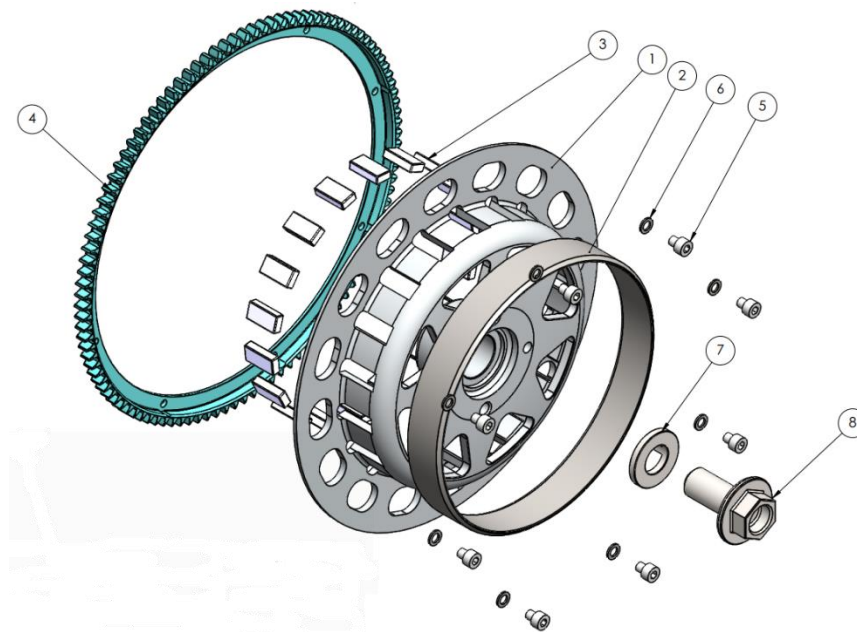
Tel. +32 56 49 81 49

Info@d-motor.eu**SERVICE BULLETIN D-MOTOR**

Service Bulletin NO. 2019-014

SUBJECT : Alternator Flywheel modifications (improvements)MODELS AFFECTED : All models on LF26 and LF39 enginesTIME OF COMPLIANCE : from 11/06/2019, or when due to serviceAFFECTED SERIAL NUMBER(S) : See (*)**Scope :**

The FlyWheel (alternator) structure was modified (structure). the new model is stronger and more resistant to large forces. The fixation was changed. (new special washer added)



Service Bulletin 2019 - 014							
ISSUED (KGhekiere)			REVISED (JMasschelein)			Pages	Rev.
Day	Month	Year	Day	Month	Year		
11	06	2019				3	1

ITEM N°	PART N°	DESCRIPTION	BOM Version / QTY
1	STD_ALT_FLW_02	Alternator Magnet Wheel	1
2	STD_ALT_STM_01	Alternator Steel Magnet Ring	1
3	STD_ALT_MAG_01	Alternator Magnet	18
4	STD_COG_ALT_01	Alternator Cogwheel	1
5	Hex 912 M5X6	Hexagon Socket Bolt M5X6	8
6	STD_WASHER	Washer M5VZ_050.001	8
7	STD_ALT_WASHER_01	Alternator Locking Washer	1
8	STD_BOL_M16X1.5(*)	Alternator Bolt M16X1.5	1
7 >>>	Put in according slot in the cranckshaft		

ECO (Egineering Change Order)

The openings on the Flywheel are triangular now, instead of trapezoïdal.
The body is thicker.

The Stator plate has changed

(*) M16X1.25 / M16X1.5 Bolt

Depending on the Serial number of the Cranckshaft, the bolt dimensions are

If S/N starts with 'FAR' the Bolt to use is M16X1.25

If S/N is NOT FAR, the bolt to use is M16X1.5

Bolt tension : 110 Nm – in case of doubt, contact our technical department

CAUTION : The Stator plate has changed as well !

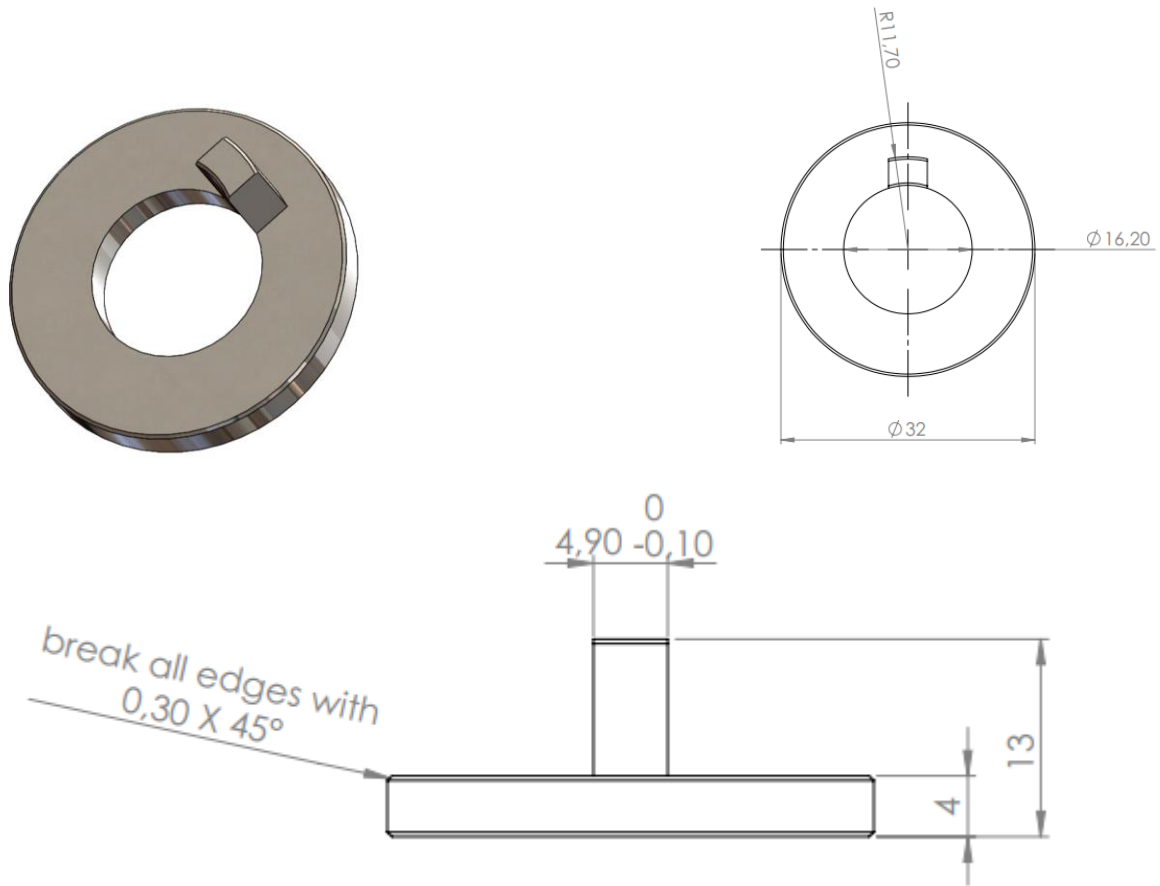
Do not use the 'old' stator plate

Fixation :

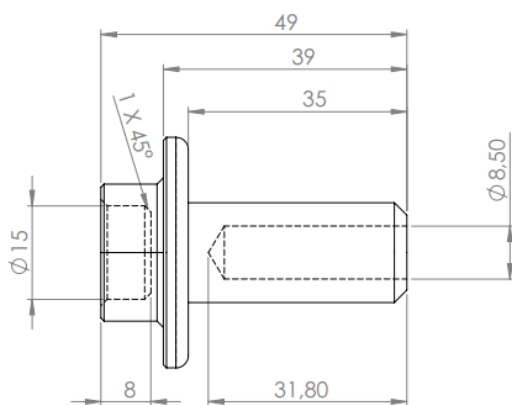
- glue (Loctite 648) on magnets when mounting
- mount with press
- shorten M5 bolts after mounting

Service Bulletin 2019 - 014							
ISSUED (KGhekiere)			REVISED (JMasschelein)			Pages	Rev.
Day	Month	Year	Day	Month	Year	3	1
11	06	2019					

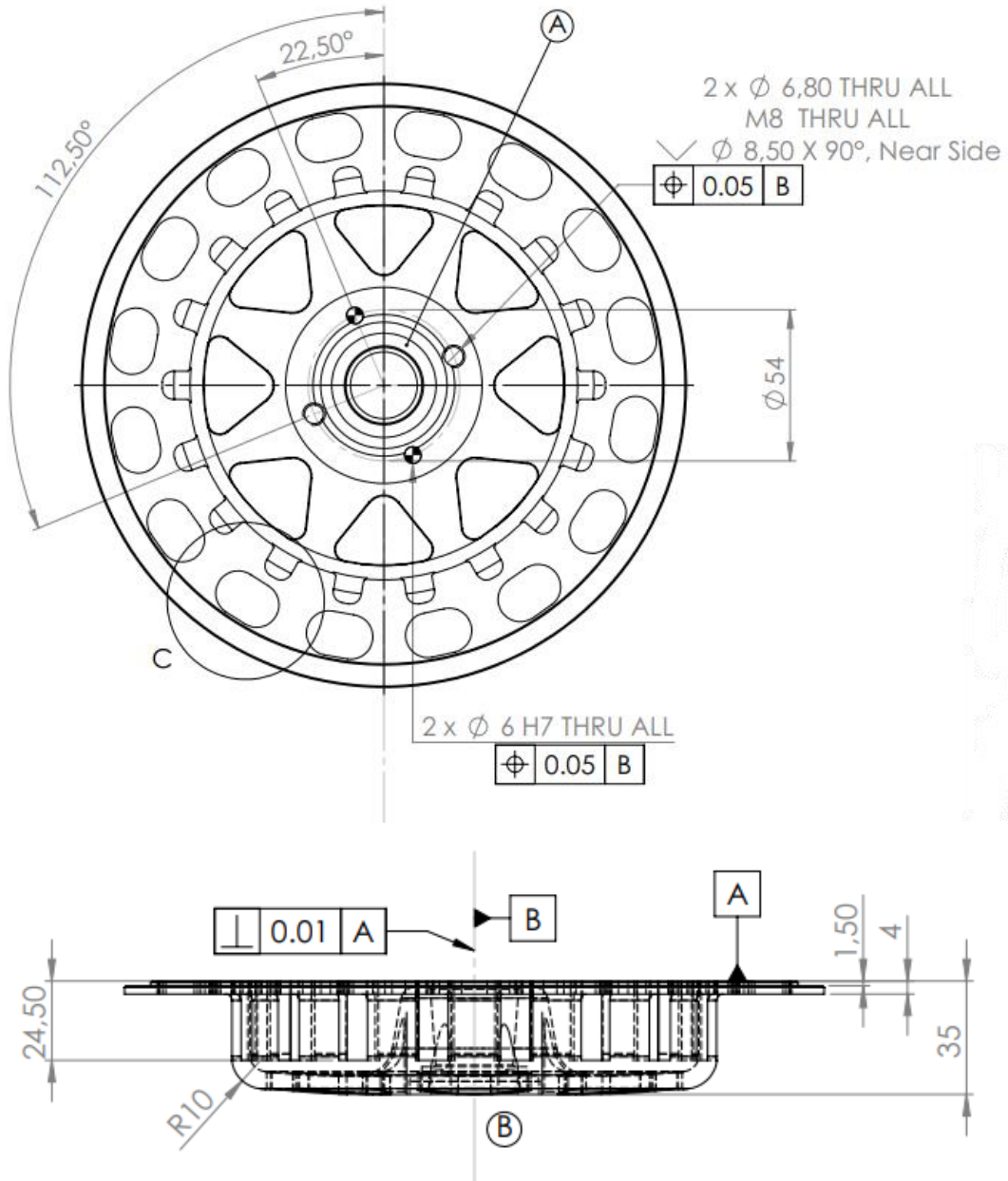
Fixation of the wheel (1) on the backplate body : use special washer (D-Motor made) –
STD_ALT_WASHER_01



Bolt structure (fixation bolt)

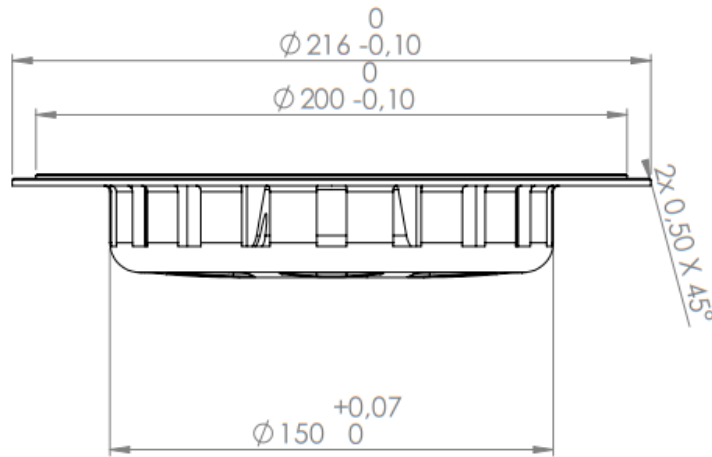


Service Bulletin 2019 - 014							
ISSUED (KGhekiere)			REVISED (JMasschelein)			Pages	Rev.
Day	Month	Year	Day	Month	Year	3	1
11	06	2019					

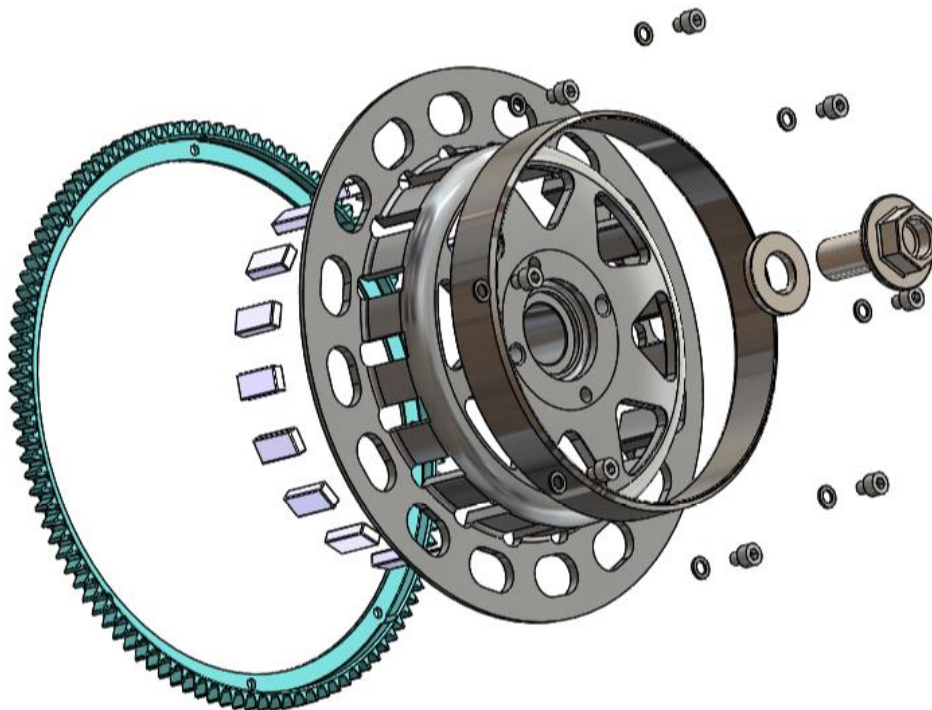


REVISIONS				
ZONE	REV.	DESCRIPTION	DATE	APPROVED
E6	A	Front face of cone is brought back with 2mm	11/03/2019	PDE
A7	B	chamber of $\varnothing 32.5$ with a depth of 2.5mm is added	11/06/2019	PDE

Service Bulletin 2019 - 014							
ISSUED (KGhekiere)			REVISED (JMasschelein)			Pages	Rev.
Day	Month	Year	Day	Month	Year	3	1
11	06	2019					

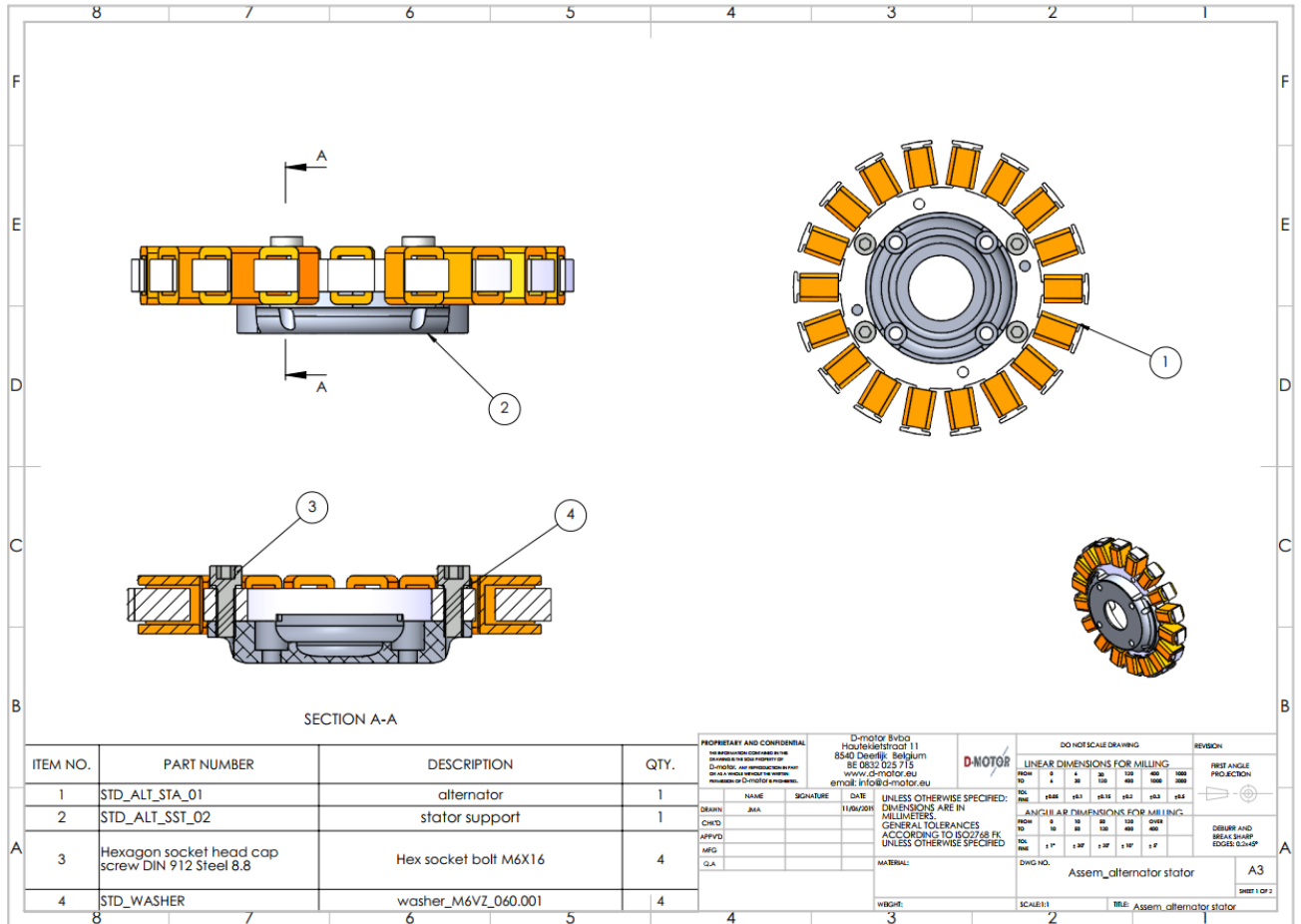


Exploded ASSEMBLY of the modified Alternator Flywheel



Service Bulletin 2019 - 014							
ISSUED (KGhekiere)			REVISED (JMasschelein)			Pages	Rev.
Day	Month	Year	Day	Month	Year	3	1
11	06	2019					

Alternator Stator (plate to be changed)



Service Bulletin 2019 - 014							
ISSUED (KGhekiere)			REVISED (JMasschelein)			Pages	Rev.
Day	Month	Year	Day	Month	Year	3	1
11	06	2019					