

D-Motor International bvba

Houtekiestraat 11

B-8540 Deerlijk, Belgium

Tel. +32 56 49 81 49

Info@d-motor.eu

Information BULLETIN D-MOTOR

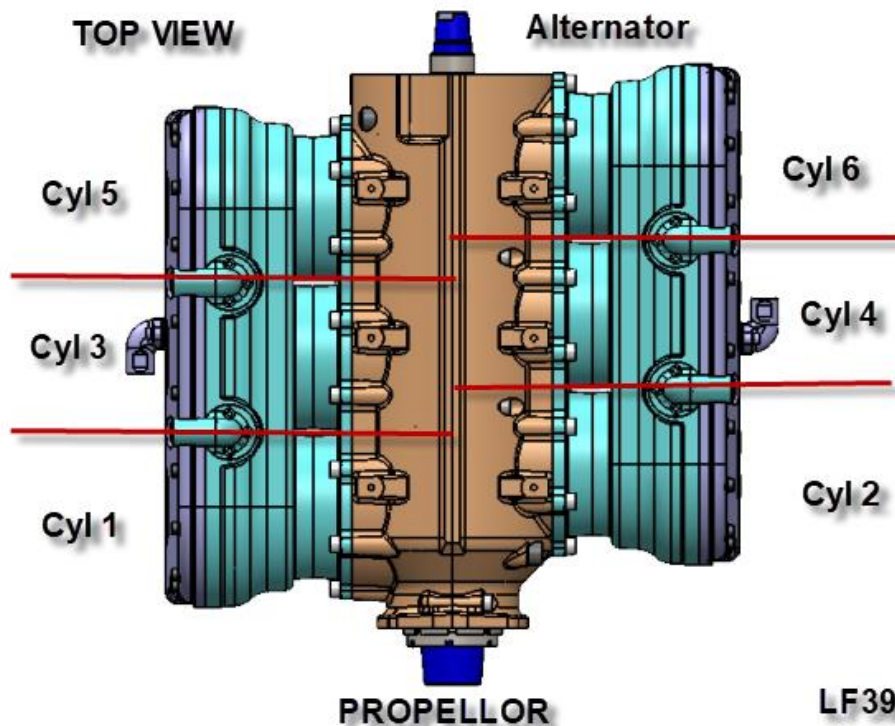
Information Bulletin NO. 2019-016

SUBJECT : Connection and mounting instructions Ignition Coils

MODELS : LF39 (6 cylinder engines)

Our 6 cylinder (LF39) engine is equipped with a stand holding the 6 ignition coils. The Ignition have redundant connection, as our engine has TWO spark plugs per cylinder.

Cylinder numbering is done from the propeller backwards.
See numbering below.



Information Bulletin 2019 - 012							
ISSUED			REVISED			Pages	Rev.
Day	Month	Year	Day	Month	Year		
01	03	2019				6	1

The LF39 (6 Cylinder engine) has 3 cylinder banks :

BANK 1 : Cylinder 1 + 2

BANK 2 : Cylinder 3 + 4

BANK 3 : Cylinder 5 + 6

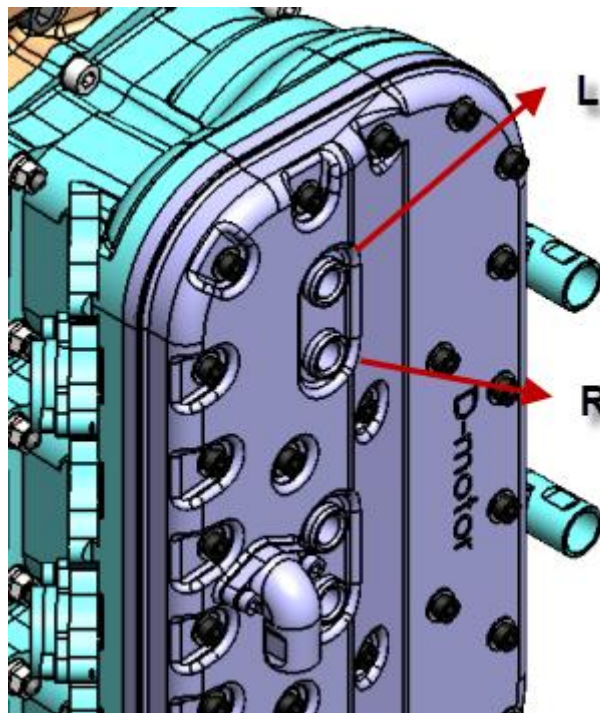
Each spark plug has to be connected to a ignition coil by a black spark plug cable.

Sparkplug cables are numbered as follows :

Cylinder 1 L Cylinder 1 R

L : the left spark plug

R : the right spark plug



The spark plug cables are numbered as follows :

CYL 1L CYL 1R - Cylinder 1 Left from propellor axe (Bank 1) left spark plug / 1 right sparkpl

CYL 2L CYL 2R - Cylinder 2 Right from propellor axe (Bank 1) left spark plug/ 2 right sparkpl

CYL 3L CYL 3R - etc...

CYL 4L CYL 4R

Information Bulletin 2019 - 012							
ISSUED			REVISED			Pages	Rev.
Day	Month	Year	Day	Month	Year	6	1
01	03	2019					

CYL 5L CYL 5R
CYL 6L CYL 6R

PLEASE CONNECT THE RIGHT SPARKPLUG CABLE HEAD TO THE RIGHT SPARK PLUG !

Our Engine Control Unit operates on software, ignition times, dwell times, duration times are IMPORTANT for optimal engine behaviour !

Connecting the cables the WRONG way can cause power (BHP) loss and a rough running engine !

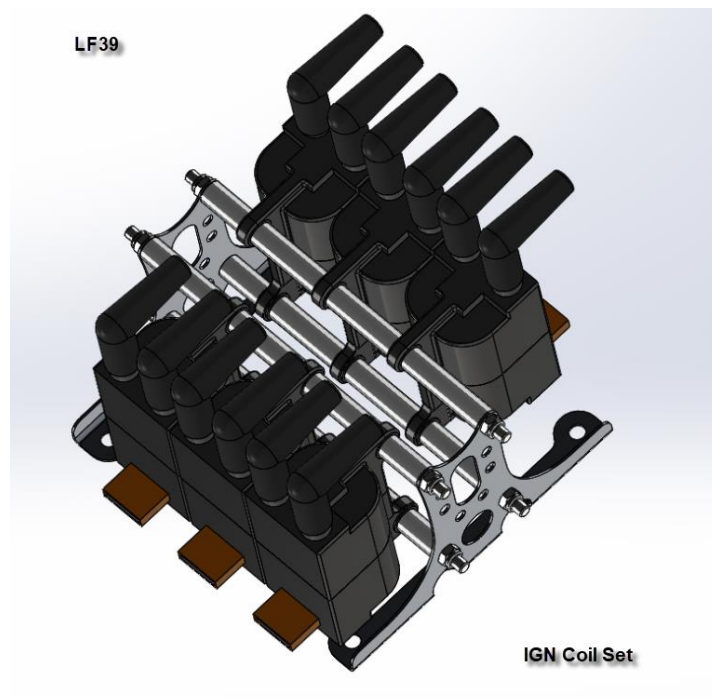


ALWAYS CONNECT THE CABLES TO THE SPARK PLUGS WITH BATTERY VOLTAGE DISCONNECTED ! The voltage induced for ignition can be very High !

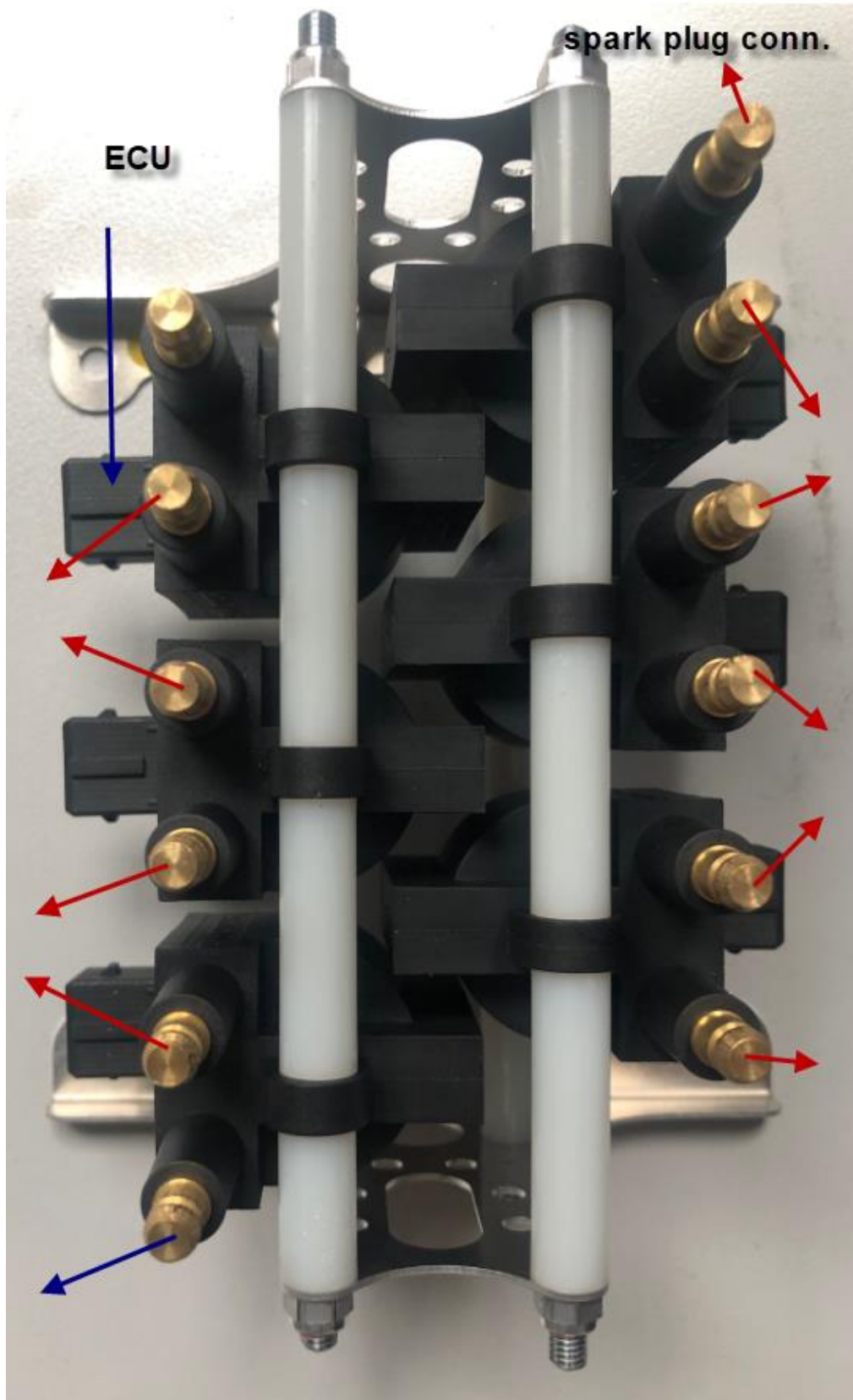
Ignition Coil Set

The ignition coil set is mounted on TOP of the engine. The Kit can be mounted else where, do not extend the Spark Plug Cables !

The Ignition Coils are marked (two connections per coil).



Information Bulletin 2019 - 012							
ISSUED			REVISED			Pages	Rev.
Day	Month	Year	Day	Month	Year	6	1
01	03	2019					



Information Bulletin 2019 - 012							
ISSUED			REVISED			Pages	Rev.
Day	Month	Year	Day	Month	Year		
01	03	2019				6	1

The engine is factory prepared as follows :

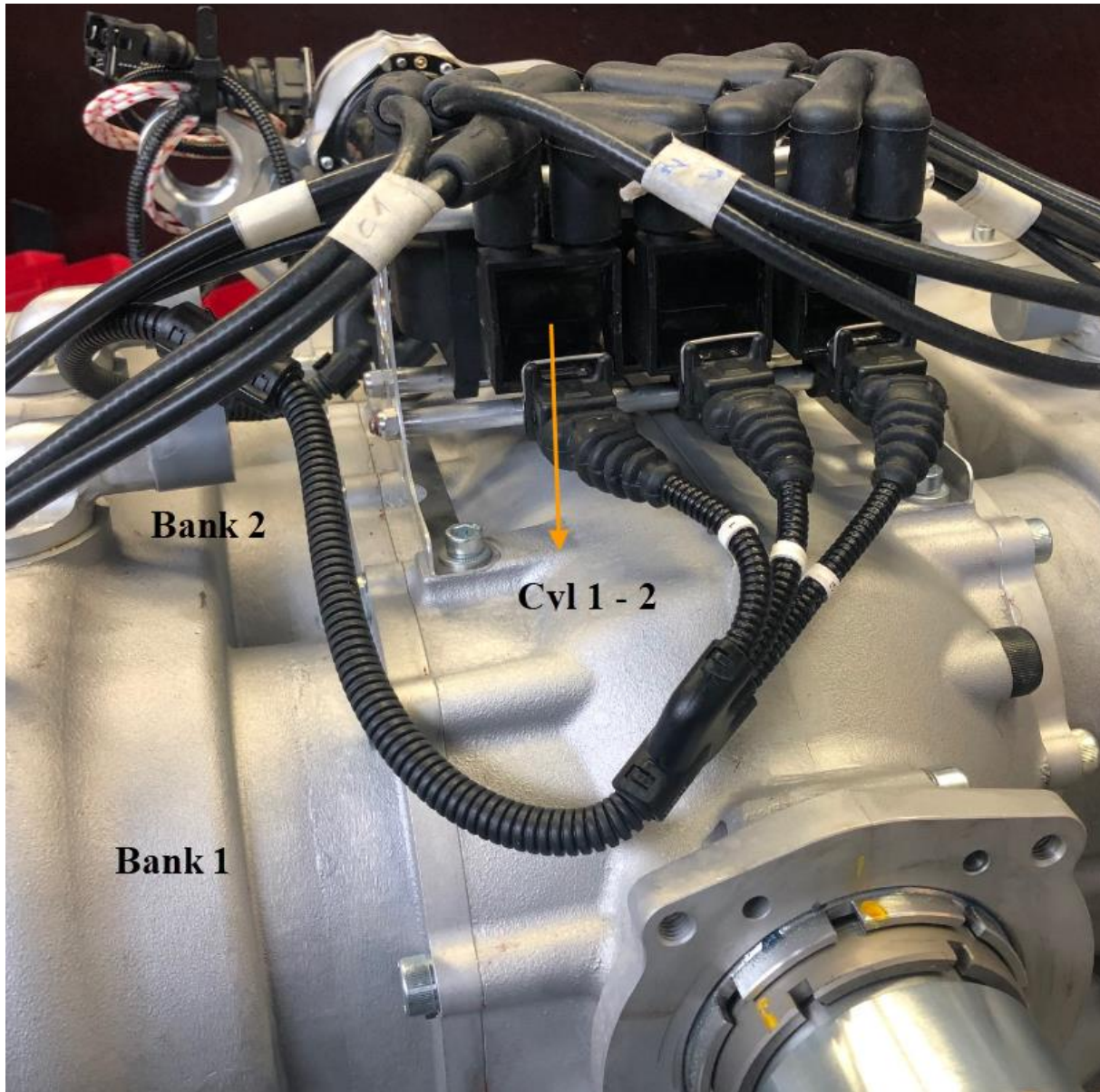


The spark plug cables (with spark plug cable heads) are fixed on the ignition coil stand and grouped by two. (See figure above).

The cables (2) from the engine cable loom are longer than needed. The integrator can mount the stand wherever he wants, taking in consideration [the following notice](#) :

Make sure that the distance between the Engine Control Unit (ECU) and the ignition coil cables is not less than 15 centimeters (1/3 ft). The distance between the cable of the lambda sensor and the MAP sensors not less than 15 centimeters (1/3 ft). The microcontroller units in the ECU and lambda/Map sensors are sensitive to the electromagnetic pulses from the ignition coil system !

Information Bulletin 2019 - 012							
ISSUED			REVISED			Pages	Rev.
Day	Month	Year	Day	Month	Year	6	1
01	03	2019					



Warning :

Guide the spark plug cables as near as possible to the engine housing! When the ignition cables are mounted circular around the engine case, they form a antennat hat will jam the operation of the ECU and the active sensors.

Information Bulletin 2019 - 012							
ISSUED			REVISED			Pages	Rev.
Day	Month	Year	Day	Month	Year	6	1
01	03	2019					